

Mobile Power Bank
Supported



Sleek
Modern Design



Powered USB
Connections



Peripheral
Expandable



Android / Windows
Seamless Integration

VariPOS 210P

14" All-in-One POS with Advanced Mobility in a Chic Design





Features:

- Low power CPU: Intel BayTrail-T 3735F
- 14" 16:9 True Flat P-Cap Touch widescreen
- 1 x 24V, 1 x 12V Powered USB for retail peripherals
- No power outlet needed, driven by an external power bank for uninterrupted service
- Light weight, die-cast aluminum casing with an aesthetic design
- Peripherals compatibility: LCM,10.1" Second display, MSR, iButton, Fingerprint, RFID
- Optional color case to match the individual shop design



Powered USB Connections

VariPOS 210P is designed to support retail applications with durable design, compact size and powered USB connection. Powered USB provides a space-saving powered connection for peripheral, an ideal features for retail environment, maximizing profit potential by organizing work space. Plug-and-play connectivity reduces the cost of ownership by eliminating the need for excess power supplies.



Peripheral Expandable

Peripheral devices including MSR, iButton and RFID are consistent with the chic style of VariPOS 210P. Connection points on the right and left sides of VariPOS 210P allow flexible configuration of peripherals.





Advanced Mobility

The VariPOS 210P is the first POS terminal that can be operated by an external power bank. VariPOS 210P is driven with external power bank, 16000mAh capacity, provides up to 6.5 hours under heavy operation* without the need for power outlet. Users can easily transport the system outdoor for a sidewalk sale or set up queue-busting. Merchants quickly realize the benefit of consistent operation, even through power outages and without data loss.

* Power Bank is not a standard item of VariPOS 210P, the working hours subject to different battery capacity



Android / Windows Seamless Integration

Android 4.4.4, Windows 10 IOT and Windows 8.1 are both supported, providing the ideal platform for ISV and Systems Integrators to reduce development time and ease burden. Whether the software is Windows-based or Android based, the VariPOS 210P is prepared to handle all configurations for seamless peripheral integration.

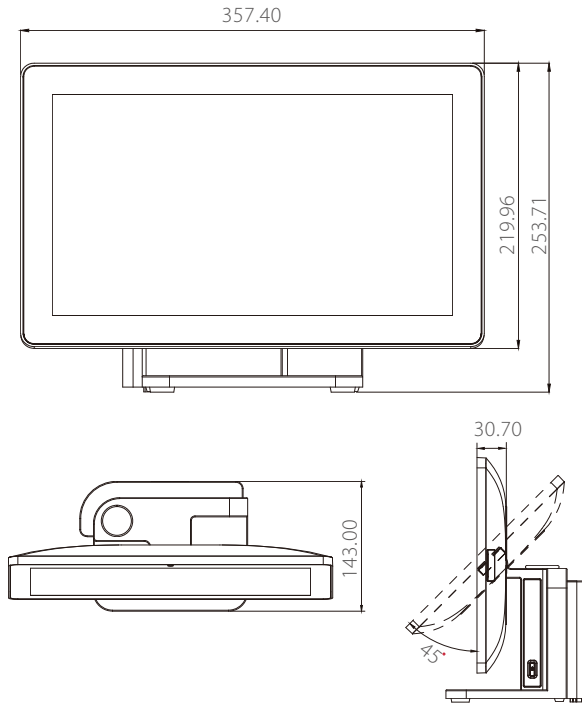


Model Name		VariPOS210P
Main Board	Processor	Intel® Baytrail-T CR Z3735F 1.33GHz,Cache 2MB
	System Memory	[Android] - 2GB DDR3L / [Windows] -2GB DDR3L
Display & Touch	LCD Size	14" HD 16:9 TFT-LCD (LED Backlight)
	Brightness	200nits
	Resolution	1366 x 768
	Touch Technology	True Flat Projected Capacitive Technology
Wireless Networking	Wireless LAN	802.11 a/b/g/n, 2.4GHz / 5GHz
	Bluetooth	4.0+LE, Class 2 (Bluetooth® Low Energy)
Storage	eMMC	[Android] - 32GB eMMC / [Windows] -64GB eMMC
	SD	1 port (support up to 64GB)
I/O & Expansion	DC Input	1 x Mini Din 4P (DC 19V only)
	Cash Drawer	1 x RJ-11 (12V or 24V(default))
	LAN port	1 x Gigabit Ethernet by RJ-45
	USB port	2 x USB 2.0, 1 x 12V_PUSB, 1 x 24V_PUSB
	COM port	3 x RJ-48, RS232, Pin10(5V/12V/R1)
	Power Switch	1 x power on / off switch button
	Speaker	HD Audio, 1W Speaker x 1
OS Support		Windows 10 IOT, Windows 8.1, Android 4.4.4
Power Adapter		External adapter, DC Model:120 Watts, Voltage:+19VDC 6.32 Amax
Compliance	Certifications	CE, FCC, LVD, RoHS, WEEE, REACH
	Protection	IP66 on front panel
Material		Main Unit: Die-Cast Aluminum ; Other Cover: Plastic
Color		Silver/ White
Dimension(Wx H x D)		358 x 144 x 254
Weight		2.9Kg
Environmental	Operating Condition	0°C ~ 40°C, 10% ~ 90% RH, non-condensing
	Storage Condition	-20°C ~ 60°C, 10% ~ 90% RH, non-condensing

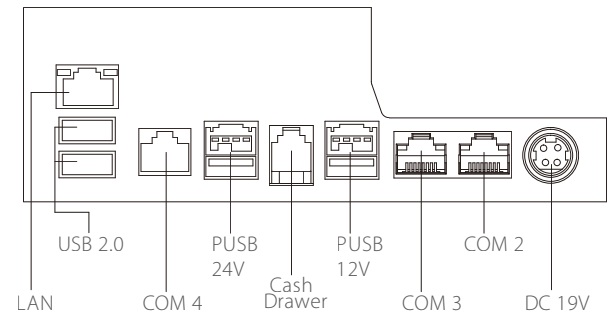


*The right has been reserved to change the specification without prior notice

Dimensions



IO Interface



Optional Accessories

- LCM: 2x20 USB Type
- Second Display: 10.1", USB Type, Resolution: 1280x800
- MSR: Front, 3 tracks USB Type
- iButton: USB Type
- Fingerprint: USB Type
- RFID: USB Type, 13.56MHZ

