

ToriPOS

Poindus

Poindus Systems Corp.



Legend of Combining Power and Elegance

www.poindus.com

Aesthetic and Performance Shape ToriPOS

ToriPOS is designed with the sleek front panel and the compact computing module in the base. The efficient thermal structure allows Intel leading-edge Intel® Haswell i5-4570S 2.9GHz processor integrated inside. Companion peripherals and a space-saving footprint shape ToriPOS slim, elegant.

The serviceability is engineered by modularized components in two main parts: touch display and computing box; minimizing technician levels and labor efforts. The frameless projected capacitive touch panel, with its robust glass is ideally suited for bar, restaurants, specialty stores as well as retail shops.

Poindus as the inventor of ToriPOS advances the design of POS product leaping ahead rather than

Features

- Intel latest Generation Core™ CPU:
Celeron G540 / Core i3 3220 / Core i5 3550S / Haswell i5-4570S / Haswell i3-4330 / Haswell Celeron G1820
- 15" LED backlight LCD panel with PCAP touch screen
- Stylish design with die-casting chassis
- Alternative options of two hard drives or solid state drives with RAID capability
- Efficient thermal ventilation structure
- Upward facing connection points and modularized components advancing serviceability
- Companion peripherals (MSR, iButton, RFID, fingerprint reader, smart card reader and 2nd display) shaping style beyond functionality

Color White ▶



ToriPOS

Superior touch display



The combination of PCAP (Projected Capacitive Technology) touch screen and LED backlight LCD panel make it fit in unique chassis with thickness less than 2cm and realize the front panel bezel-free.

High performance computing



ToriPOS features Intel 4th Generation Haswell™ processors i5-4570S 2.9GHz,. It provides visually smart performance for graphic intensive applications, and supports AMT(Active Management Technology) and RAID storage backup function.

Modularized computing BOX for serviceability



With ToriPOS modularized computing BOX it is easier to manage maintenance service or upgrade components.

Companion peripheral devices

Peripheral devices including MSR, iButton, RFID, etc. are consistent with the style of ToriPOS. Connection points on the sides of ToriPOS allows flexible configuration of peripherals.



Efficient thermal ventilation structure

Exceptional thermal dispersion structure manages the heat well circulation and achieves perfect harmony of performance and reliability.





10.4-inch
second display

Color Black ▶

Specification

Model Name		ToriPOS 815	ToriPOS 915	ToriPOS950P
Main Board	Processor	Intel® Celeron G540 2.5GHz ,Cache 2MB	Intel® Core i5-3550S 3.0GHz ,Cache 6MB	Intel® Haswell i5-4570S 2.9GHz, Cache 6MB Intel® Haswell i3-4330 3.5GHz, Cache 4MB Intel® Haswell Celeron G1820 2.7GHz, Cache 2MB
	Chipset	Intel® H61 Express	Intel® Q77 Express	Intel® Lynx Point PCH Q87 (AMT technology)
	System Memory	1 x DDRIII 1600 DIMM, up to 8GB		2 x SO-DIMM DDRIII 1600MHz, up to 16GB
	TPM	N/A	N/A	YES
Display & Touch	LCD Size	15" TFT LCD(LED backlight)		
	Brightness	350nits		
	Resolution	1024 x 768		
	Touch Technology	True Flat Projected Capacitive Technology		
Storage	HDD/SSD	1 x SATA (2.5") HDD or SSD	2 x SATA (2.5") HDD or SSD	
	RAID Function	N/A	RAID 0 / RAID 1	RAID 0 / RAID 1
I/O & Expansion	DC Input	1 x Mini Din 4P (DC 12V only)		1 x Mini Din 4P (DC 19V only)
	Cash Drawer	1 x RJ-11 (Power Pin 12V)		1 x RJ-11 (12V or 24V(default))
	LAN port	1 x Gigabit Ethernet by RJ-45		
	USB port	4 x USB 2.0	4 x USB 3.0	2 x Power USB_12V, 1 x Power USB_24V 2 x USB 3.0 ; 2 x USB 2.0
	COM port	3 x RS-232(COM1/2:DB-9, COM3:RJ-48) w/ RI/5V/12V Selectable by BIOS (default is RI)		3 x RS-232 w/ RI/5V/12V power , (COM1~COM3 : RJ-48)
	Audio port	1 x Line-out ; 1 x Mic-In		1 x Line-out ; 1 x Mic-In
	VGA port	1 x DB-15 VGA port		1 x DB-15 VGA port, Power enabled by BIOS setting (default disable)
	Bus Expansion	1 x Mini-PCI-E Slot		
	Power Switch	1 x power on / off switch button		
	Speaker	HD Audio, 2W Speaker x 2		
OS Support		Windows 8.1, Windows 7, POSready 7		Windows 10 IOT, Windows 8.1, Windows 7, POSready 7
Power Adapter		External adapter, 120 Watts, +12VDC	External adapter, 180 Watts, +12VDC, 15A max.	External adapter, DC Model : 180 Watts, Voltage:+19VDC 9.47 Amax
Compliance	Certifications	CE, FCC, LVD, RoHS, WEEE, REACH		
	Protection	IP 66 on front panel		
VESA Mount		N/A		
Material		Main Unit: Die-Cast Aluminum ; I/O Cover:Plastic		
Color		Main Unit: White / Black		
Dimension(Wx H x D)		375 x 322 x 259		
Weight		7.8Kg		
Environmental	Operating Condition	0°C ~ 40°C, 10% ~ 90% RH, non-condensing		
	Storage Condition	-20°C ~ 60°C, 10% ~ 90% RH, non-condensing		

*The right has been reserved to change the specification without prior notice.

Ordering Information

ToriPOS 815:

- ToriPOS 815-G540 : ToriPOS 815 with Intel G540 2.5GHz CPU
- ToriPOS 815-i3 : ToriPOS 815 with Intel Core i3-3220 3.3GHz CPU

Optional Accessories

Peripherals:

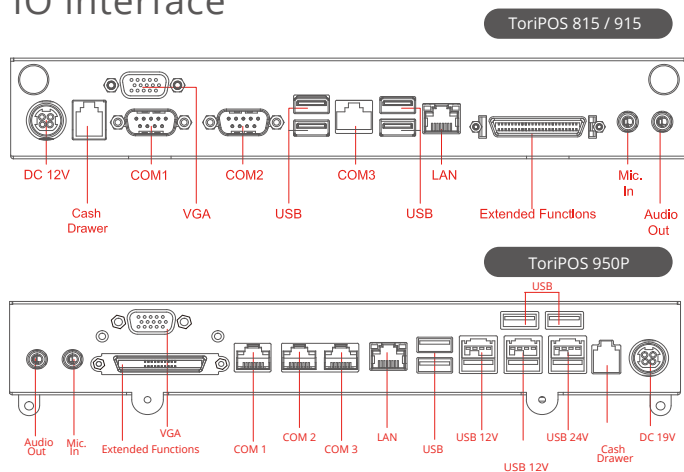
- MSR : Front, 3 Tracks (RS-232 or PS/2)
- MSR & iButton: MSR & iButton (RS-232 or PS/2)
- RFID 13.56MHz(USB)
- Fingerprint reader(USB)
- Smart card reader(USB)

- ToriPOS 915-i5 : ToriPOS 915 with Intel Core i5-3550S 3.0GHz CPU (Supports Intel AMT, KVM*) *KVM being an abbreviation for "Keyboard, video and mouse"
- ToriPOS 950P-i5 : ToriPOS 950P with Intel Haswell i5-4570S 2.9GHz Intel® Haswell i3-4330 3.5GHz / Intel® HaswellCeleron G1820 2.7GHz

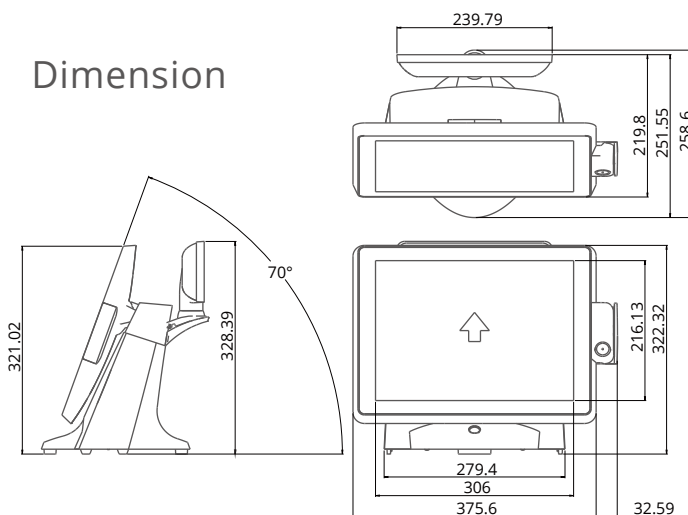
2nd Display:

- 2 lines x 20 chart VFD
- 10.4" TFT LCD display, Resolution: 800 x 600

IO interface



Dimension



ToriPOS



w w w . p o i n d u s . c o m

Poindus

Poindus Systems Corp.

5F., No. 59, Lane. 77, Xing-Ai Rd., Neihu Dist.,
Taipei City 114, Taiwan(R.O.C.)

Tel: +886-2-77214688 Fax: +886-2-77212289

Email: sales@poindus.com Web: www.poindus.com