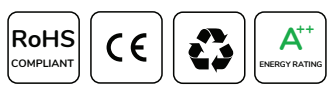


LUMAIRE Textile

5 YEARS WARRANTY



Features

- Thickness is just 23m m
- Brightness up to 11000lx on the surface depending on size
- Single sided
- Low power consumption
- Wide application possibilities, from interior design to signage

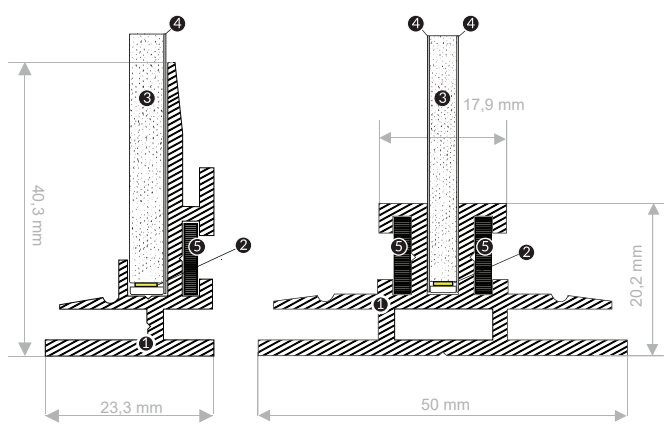
Applications

- POS Display lighting
- Signage lighting
- Advertising design lighting
- Trade fairs lighting
- Retail lighting
- Interior design lighting
- Hotels lighting
- Wayfinding lighting

Technical specifications

Manufacturer	Leddex
Product name	Lumaire Textile
Main material	Clear acrylic (PMMA)
Thickness	23 mm
Luminous efficiency	up to 160lm/W
Colour temperature	3000K 4000K 5000K 6500 K
IP rating	IP 40
Maximum size	2450x1250 mm
Lifetime	> 50,000 hours
Operating temperature	-30°C ~ + 40°C
Power supply	AC / DC 12V / 24V / CC Adaptor
Working voltage	DC 12V / DC 24V / DC CC
Input voltage	AC 100 ~ 240V 50/60Hz

Technical drawing



Single

Double

1. Frame basic
2. LED bar
3. Acrylic sheet
4. Reflector
5. Brackets

1. Frame basic
2. LED bar
3. Acrylic sheet
4. Diffuser
5. Brackets



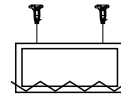
Mounting information

Size (Y), mm	→	←	Center	→	←
200-700	80 mm	80 mm			
700-1000	150 mm	150 mm			
1000-1500	150 mm	150 mm	•		
1500-2000	150 mm	150 mm		700 mm	700 mm
2000-2450	150 mm	150 mm	•	700 mm	700 mm

Package includes



1 x Power supply



Cable installation kit (Optional accessories)

Other picture

