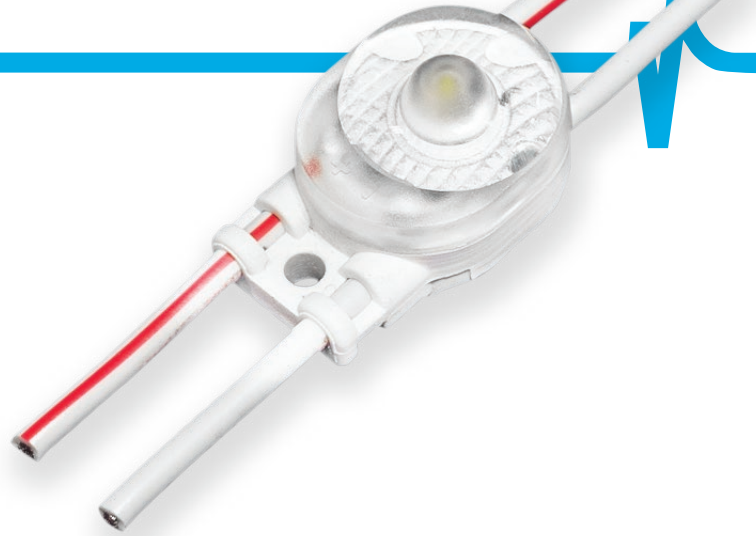


Lumiter¹

NEW



best for 3-9 cm*

Features

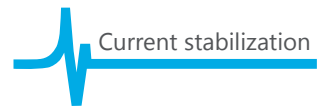
- **3-step MacAdam** binning
- **156 lm/W** efficiency
- constant **current stabilization**
- viewing angle of **170°**
- **5 year** warranty
- all components protected by **PC cover**
- **IP67** rated
- chain of **40 pieces**
- auxiliary assembly with **3M** tape



0.36W



56lm



Current stabilization



IP67



12V
DC



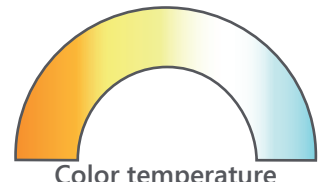
selected



170°



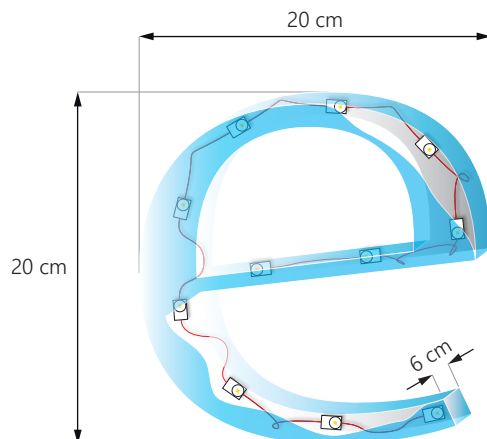
5 Year
Warranty



Color temperature

Application

best for 3-9 cm depth channel letters and 5-15 cm lightboxes



Number of modules:
11 pcs*

Lumen output:
616 lm

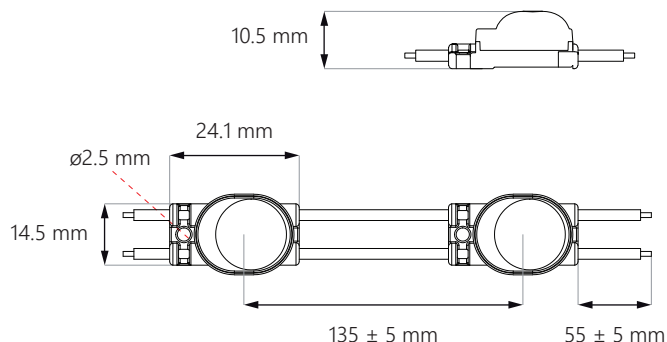
Power usage:
3.96 W



* the exact number of modules depends on the used materials



Dimensions



Technical specifications

Nominal power usage	0.36 W
Luminous Flux	56 lm (for ~7000K)
Beam angle	170°
Input Voltage	12 V DC
Current stabilization	YES
Light color	Ask our sales staff for details of available colors
Module dimensions (L x W x D)	24.1 x 14.5 x 10.5 mm
Cable length	110 ± 5 mm
Module length incl. cable	135 mm
No. of modules in the chain / bag	40 pcs / 240 pcs
Applications	best for 3-9 cm depth channel letters and 5-15 cm lightboxes
Lifespan	~50 000 h
Working temperature	-25°C ÷ +55°C
Color Rendering Index	≥82
IP Rating	IP67
Warranty	5 years

The information presented in this document is not intended as any commercial offer and does not form part of any quotation or contract.

