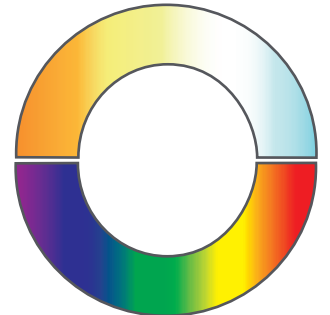
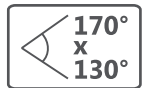
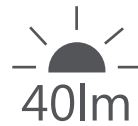


best for 3-9 cm



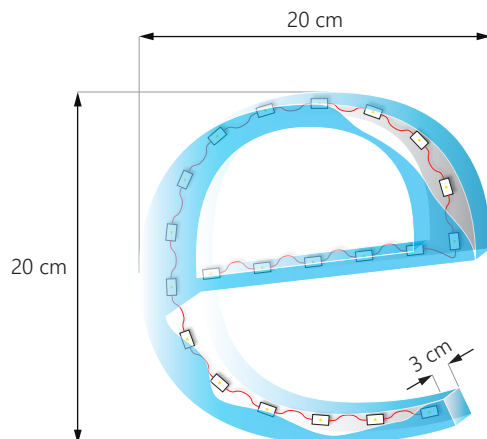
## Features

- **binned diode** with high brightness
- viewing angle of **170° x 130°**
- **166 lm/W** efficiency
- **5 year** warranty
- **IP67** rated
- size allows installation in **small forms**
- chain of **50 pieces**
- auxiliary assembly with **3M** tape



## Application

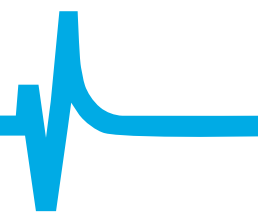
best for 3-9 cm depth channel letters and lightboxes



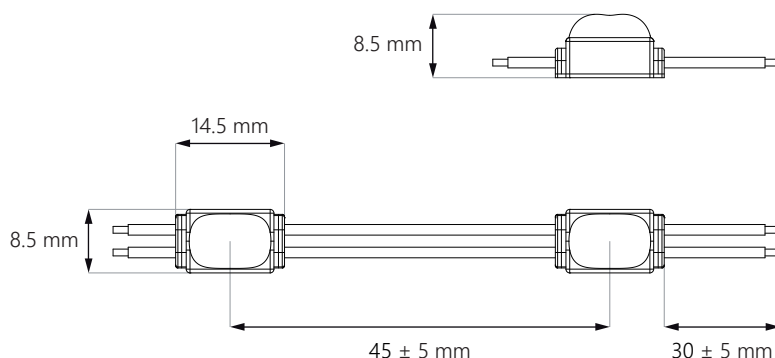
Number of modules:  
**21 pcs\***

Lumen output:  
**840 lm**

Power usage:  
**5.04 W**



## Dimensions



## Technical specifications

Nominal power usage	<b>0.24W</b>
Luminous Flux	<b>40 lm</b> (for ~6500K)
Beam angle	<b>170° x 170°</b>
Input Voltage	<b>12 V DC</b>
Current stabilization	<b>NO</b>
Light color	<b>Ask our sales staff for details of available colors</b>
Module dimensions (L x W x D)	<b>14.5 x 8.5 x 8.5 mm</b>
Cable length	<b>30 ± 5 mm</b>
Module length incl. cable	<b>45 mm</b>
No. of modules in the chain / bag	<b>50 pcs / 500 pcs</b>
Applications	<b>best for 3-9 cm depth channel letters and lightboxes</b>
Lifespan	<b>~50 000 h</b>
Working temperature	<b>-25°C ÷ +55°C</b>
Color Rendering Index	<b>≥82</b>
IP Rating	<b>IP67</b>
Warranty	<b>5 years</b>

The information presented in this document is not intended as any commercial offer and does not form part of any quotation or contract.

